

EMSS

Powered Stair Climber

EMSS-11E

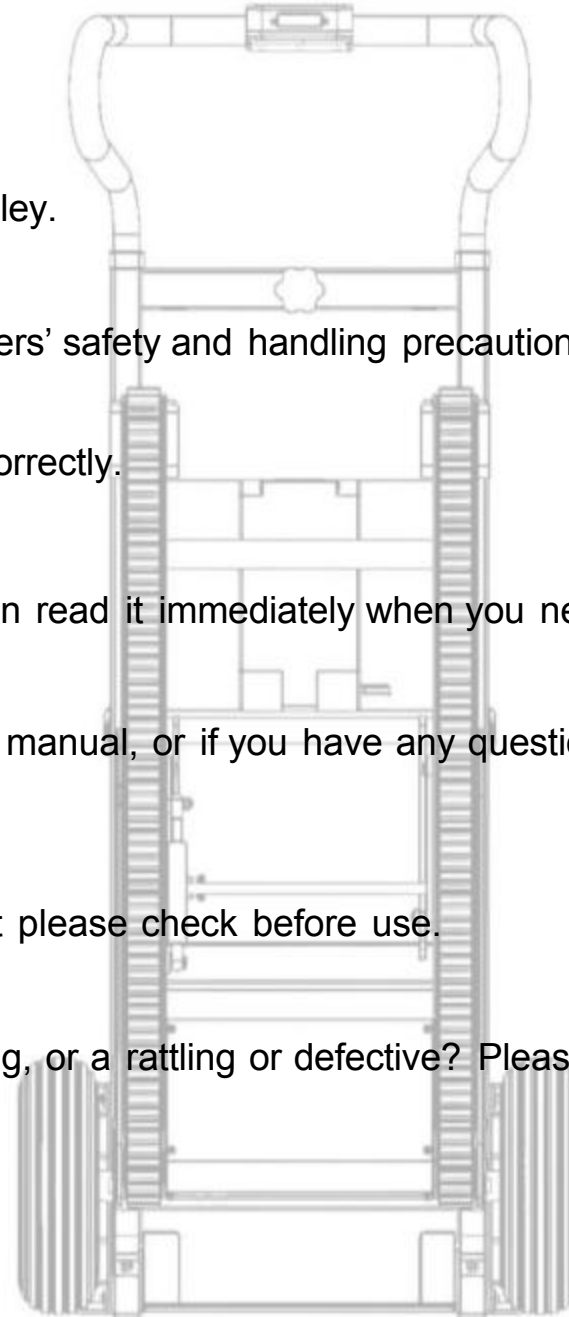


Description




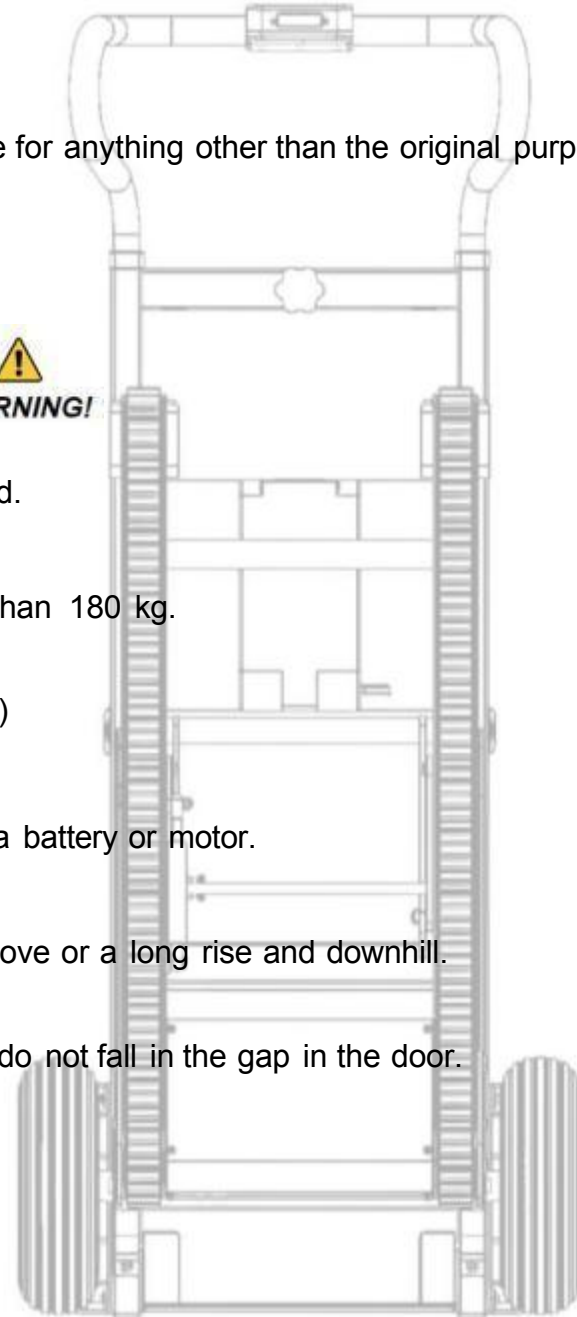
Introduction

- Thank you for purchasing a portable mobile stair trolley.
- This manual describes how to use products and users' safety and handling precautions.
- Be sure to read well before purchasing and use it correctly.
- Please keep this manual in your hand so that you can read it immediately when you need it.
- If you have any questions about the contents of this manual, or if you have any questions, please contact us or dealers.
- At the time of shipment, we have sufficient tests, but please check before use.
- Is there any damage to parts, a bolt and nut dropping, or a rattling or defective? Please check.

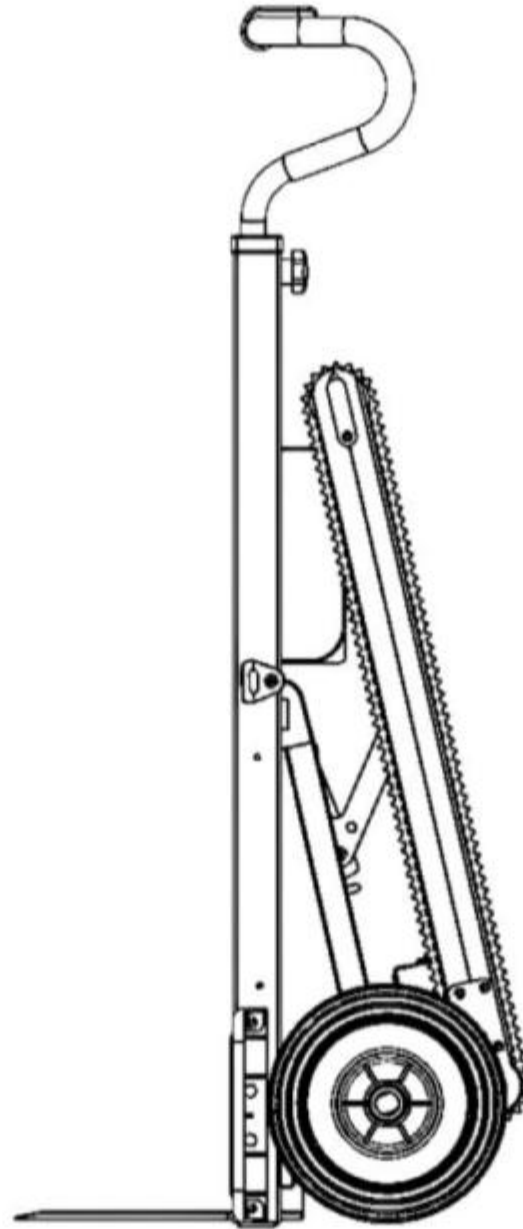


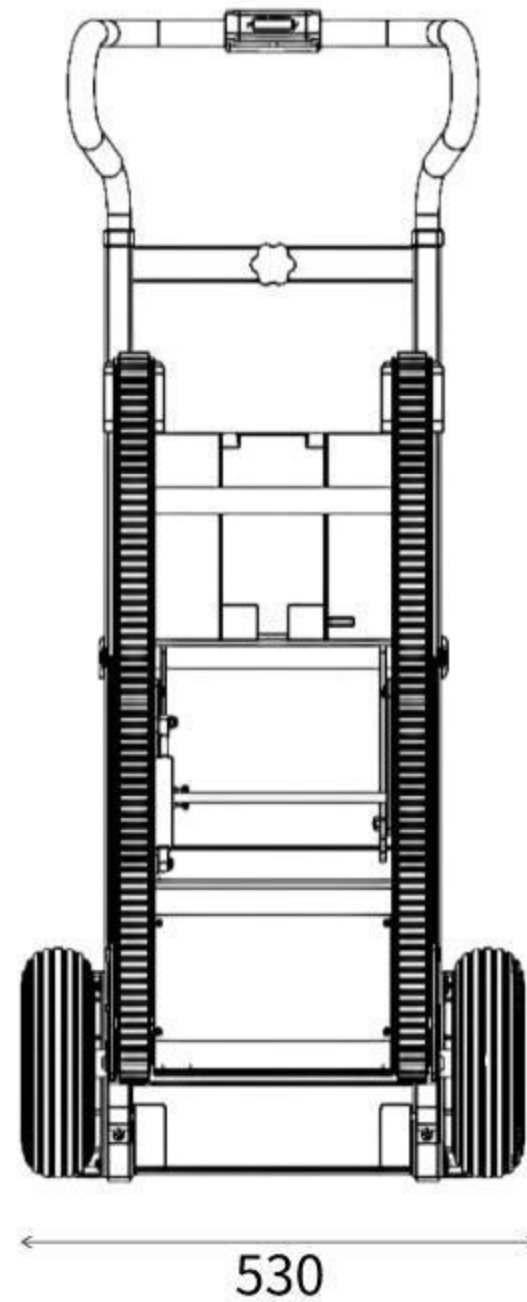
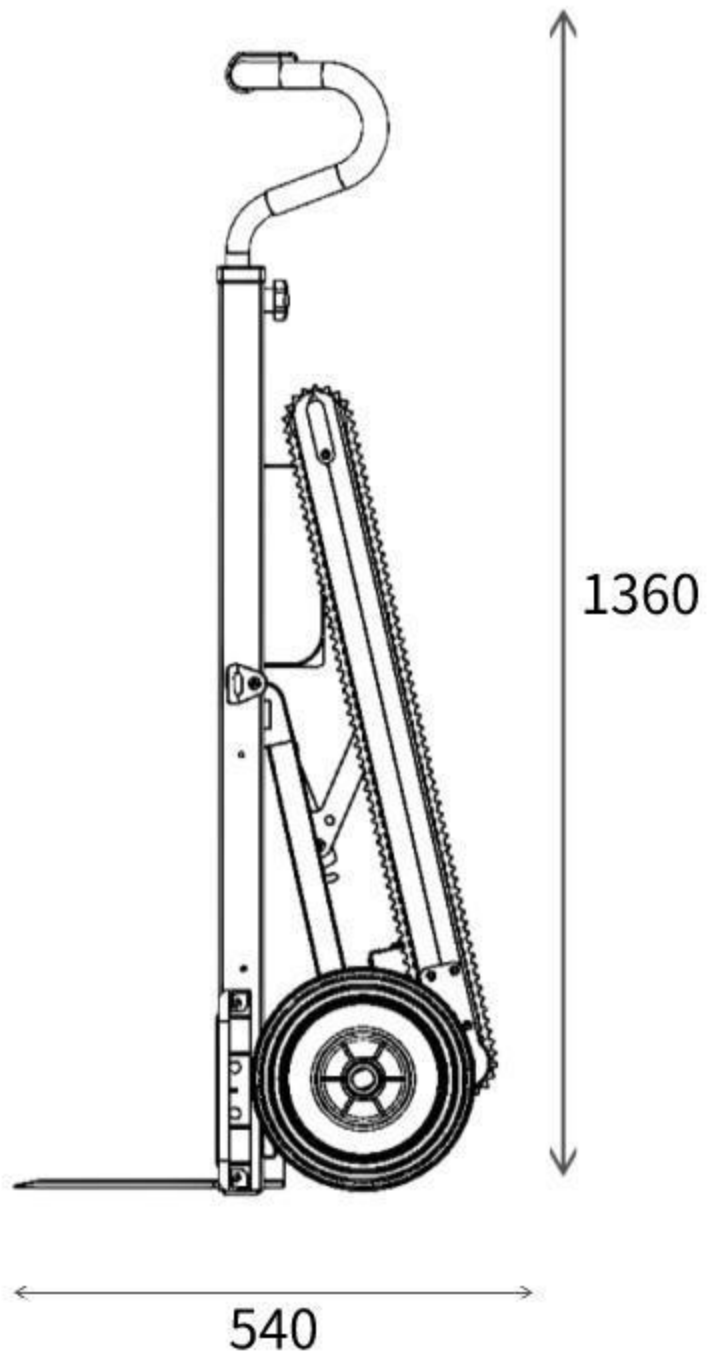
Precaution

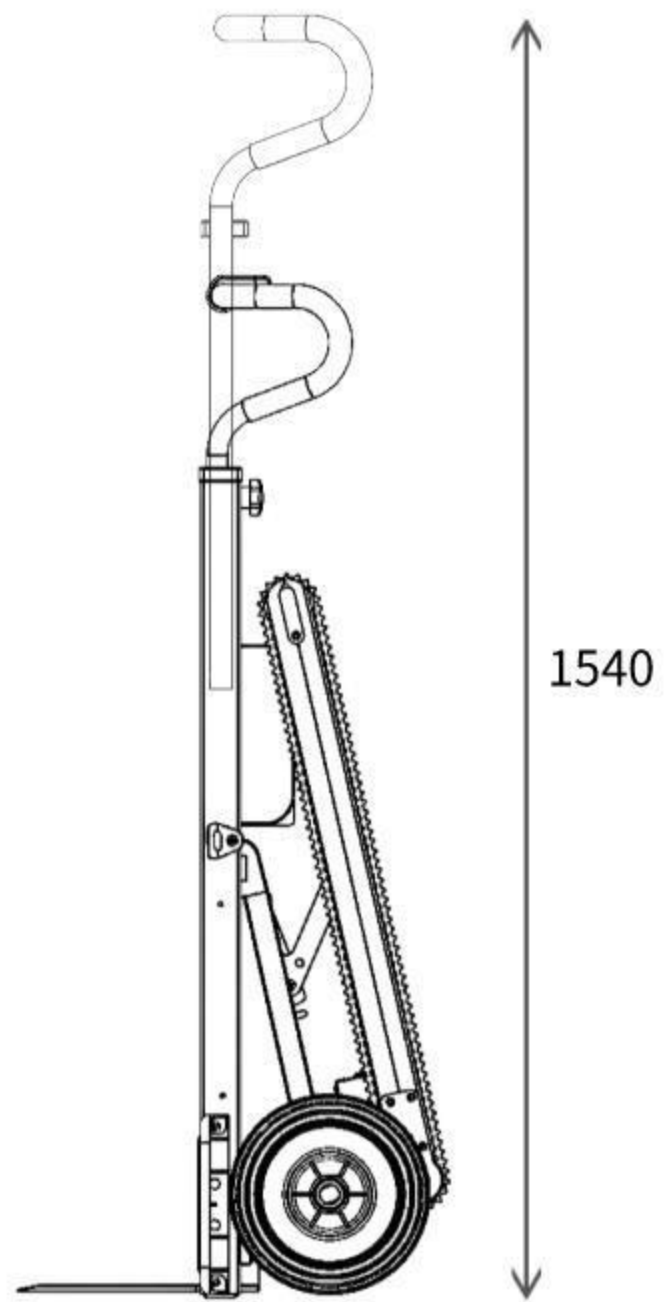
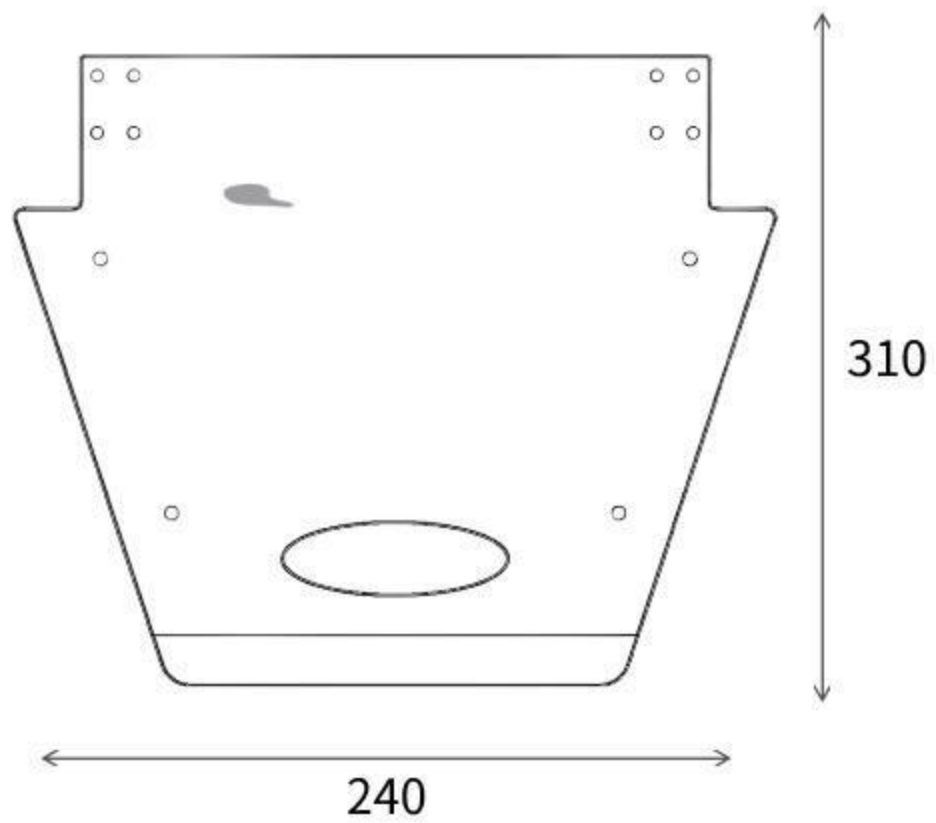
- This carries goods/cargo to the stairs up and down. Do not use for anything other than the original purpose.
- Do not use when there is a failure or abnormality.
- Do not use if it rains or if the road is wet. It may slip down.  **WARNING!**
- Do not approach the fire, as the motor or battery may be ignited.
- Please do not use with the maximum loading capacity of more than 180 kg.
- Please do not use special stairs. (Stairs, stairs, stepladder, etc.)
- If you use it for a long time, do not use it if it gets hot, such as a battery or motor.
- When using it as a wheelchair, it is dangerous to use it on a groove or a long rise and downhill.
- When using the elevator, be sure to make sure that the wheels do not fall in the gap in the door.
- Please check, clean and maintain regularly.



Technical Specifications







LED Power Display



Led Searchlight

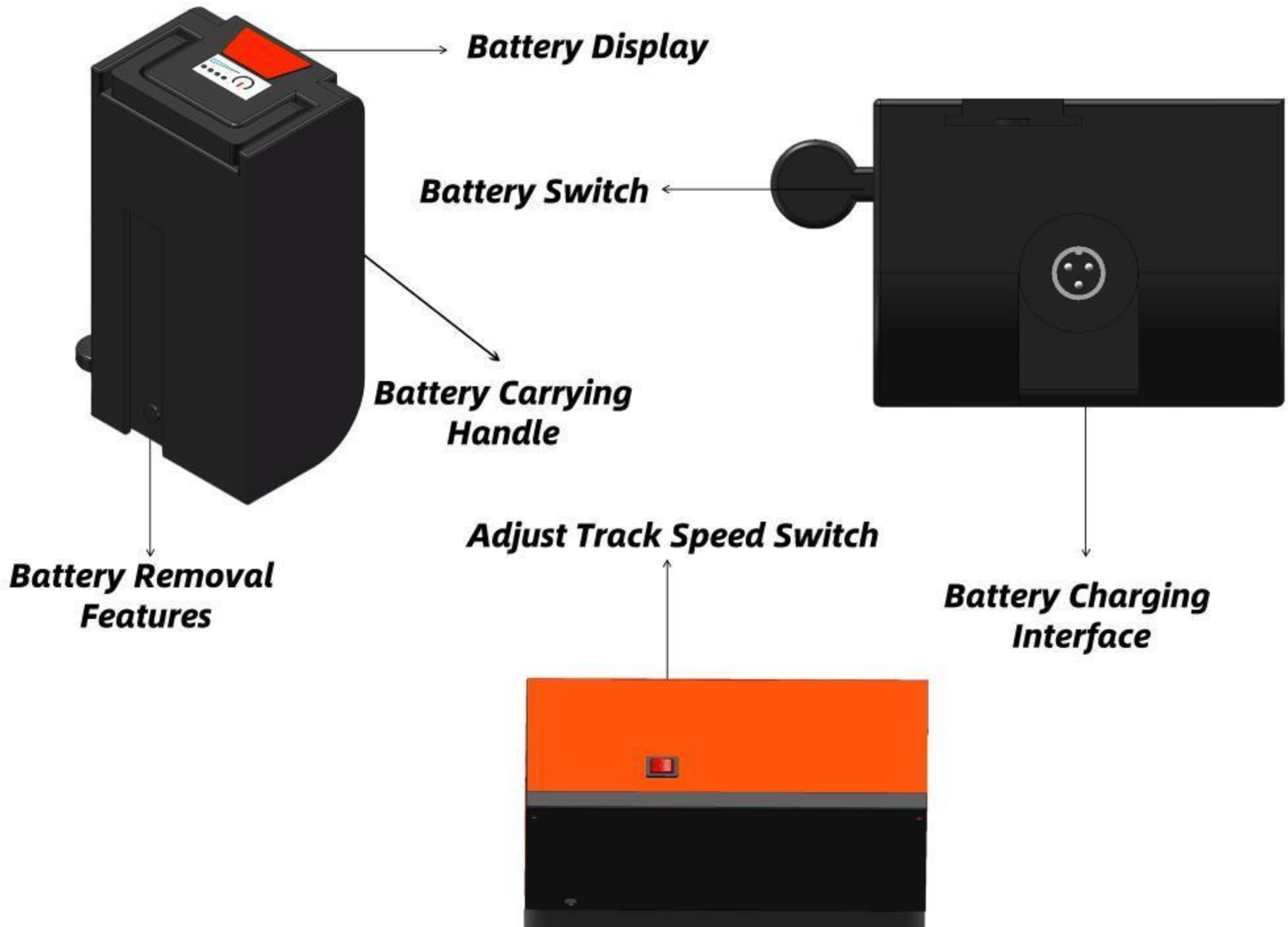
Up Stair

Down Stair



Led Switch

Switch



Technical Data

Expanded size: 1520mm*530mm*540mm

Folding size: 1540mm*530mm*320mm

Packing size: 1240mm*370mm*590mm

Net weight, gross weight: 35 Kg, 42Kg

Maximum load-bearing capacity: 150Kg

Platform size: 240mmX310mm

Maximum angle of stairs: $\leq 35^\circ$.

Forward speed (load): 0.2m/s

Retreat speed (load): 0.2m/s

Motor power, voltage, speed: 200W, 48V, 3000,

Motor type: Brushless motor

Battery voltage and capacity: 48V, 7.8AH

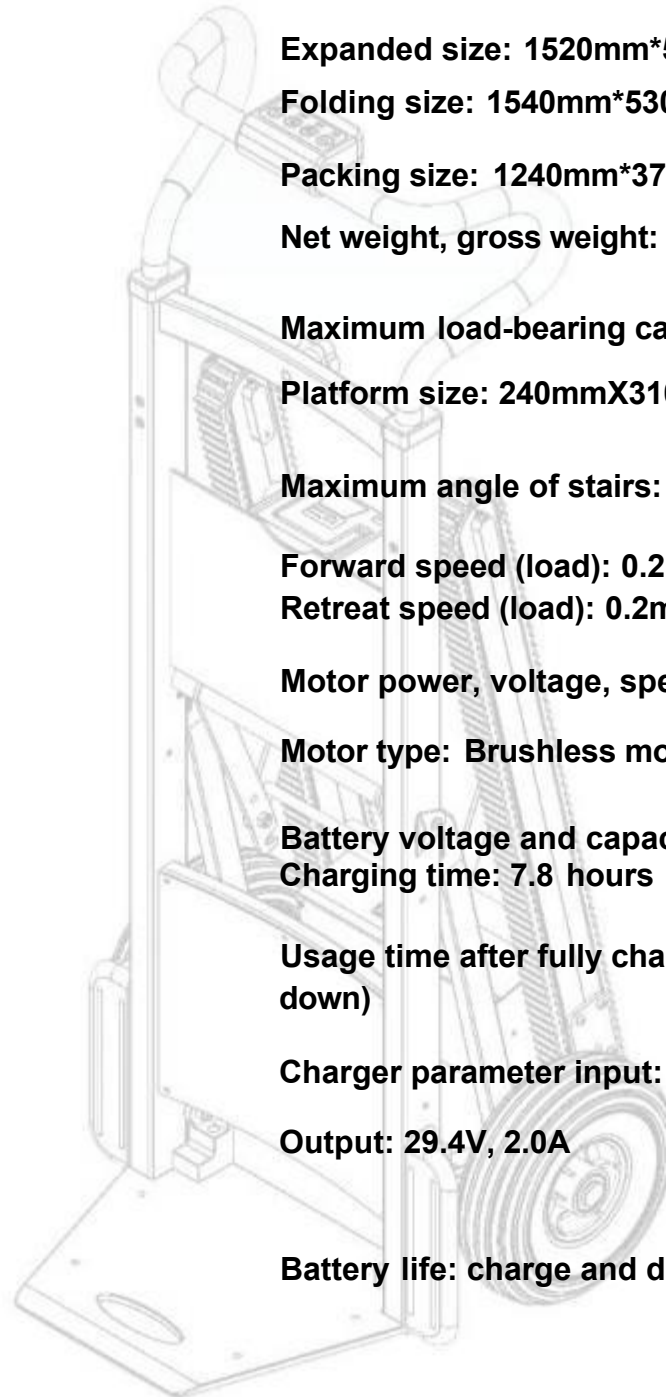
Charging time: 7.8 hours

Usage time after fully charged: 1.3H (60 floor up and down)

Charger parameter input: 100~240V, 50/60Hz, 2.0A

Output: 29.4V, 2.0A

Battery life: charge and discharge 600-700 times



Prevent Electric Shock and Fire When Handling Batteries.

- Do not use if the battery case is damaged, scratched, or smells bad.

(If there is any abnormality, please contact the dealer or our company immediately.)

Please do not pour water on the battery or put it in water.

Failure to do so may result in heat generation, fire, damage or malfunction.

Do not disassemble or replace the battery.

- Do not throw the battery into fire or overheat it.

Failure to do so may result in heat generation, fire, damage or malfunction.

Prevent electric shock and fire when handling fully charged electrical appliances.

- Do not use the appliance with other electrical equipment, otherwise it may cause fire or explosion.
- Please do not get the appliance wet or use it in the rain.

Failure to do so may result in electric shock or fire.

- Insert the power plug fully. Incomplete insertion may cause heat generation, resulting in electric shock or fire.
- Please do not put anything on the wire or fix the wire by pinching.

Failure to do so may result in fire or electric shock.

- Do not touch the power plug or touch the charging terminal with wet hands. Dangerous to touch.
- Do not pick up or wrap the power cord on the main body of the charger when using it.

A damaged power cord may cause fire or electric shock.

- Please do not drop the rechargeable battery or subject it to shock.

Failure to do so may result in heat generation, fire or damage.

Prevent electric shock and fire when fully charged.

- Do not use outlets or wiring devices that exceed the ratings.

Multiple wires, etc. that exceed the rating may cause heat generation and fire.

- Please do not let your skin touch the same part of the charger for a long time while charging. Failure to do so may result in cryogenic injury.

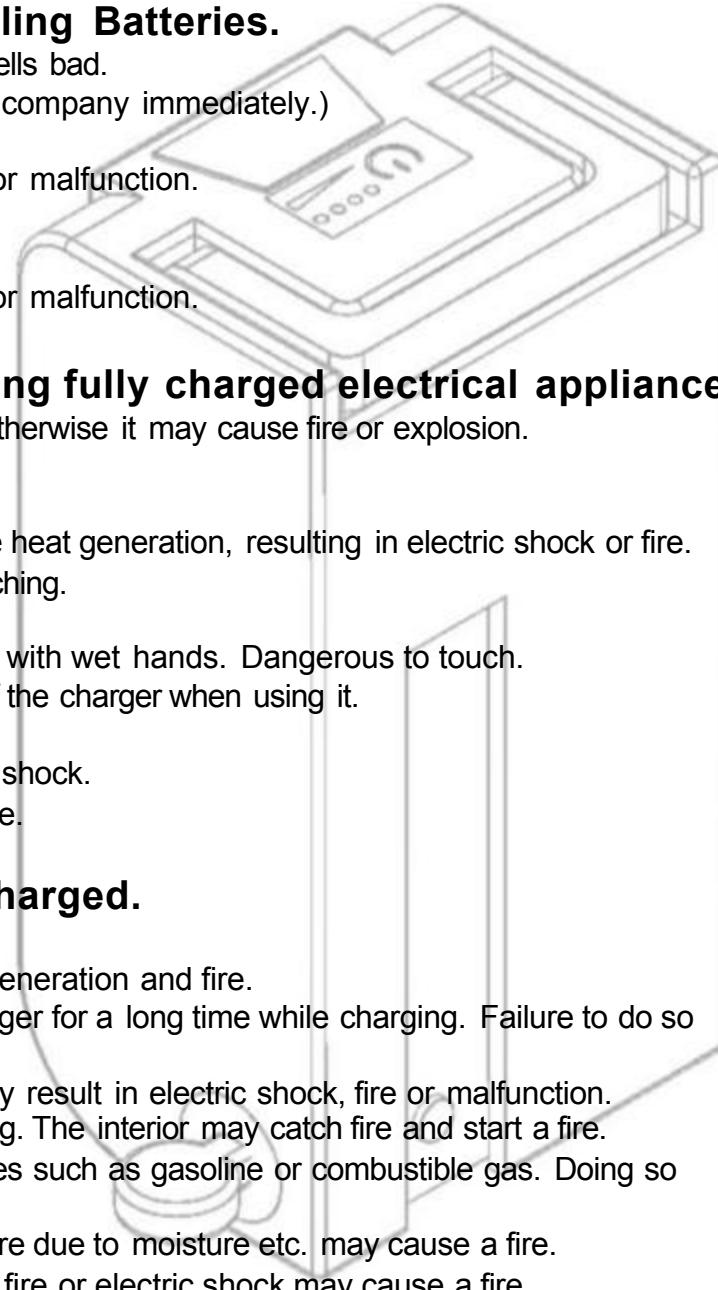
- Keep out of reach of children and pets. Failure to do so may result in electric shock, fire or malfunction.

- Do not cover or place anything on the battery while charging. The interior may catch fire and start a fire.

- Please do not charge the battery near flammable substances such as gasoline or combustible gas. Doing so may result in fire or overheating.

- Regularly remove dust from the power plug. Insulation failure due to moisture etc. may cause a fire.

Do not use if the power cord is damaged. There is a risk of fire or electric shock.



Lithium-ion batteries are lightweight and have excellent battery capacity, but have the following characteristics

- Performance will degrade in very hot/cold environments.
- Even if the battery is not used, it will avoid fugitive discharge.
- It can be charged regardless of the remaining power.
- Reverse charging a fully charged battery will accelerate fatigue.

Suitable for fully charged environment

Charging may not be performed properly in extremely hot or cold places, please use an environment suitable for full charging below.

- The indoor temperature is between 15 and 25 °C.
- A place that will not get wet from rain or water.
- A place not exposed to direct sunlight.
- A place with good ventilation and no humidity.
- A place out of reach of babies and pets.

Battery life and replacement

The battery capacity will drop to about half of the new one after repeated charging and discharging (700~900 cycles). In addition,

the battery capacity will gradually decrease after being stored for a long time.

The lower the battery capacity, the shorter the range per charge becomes.

If there is no sign of recovery even .

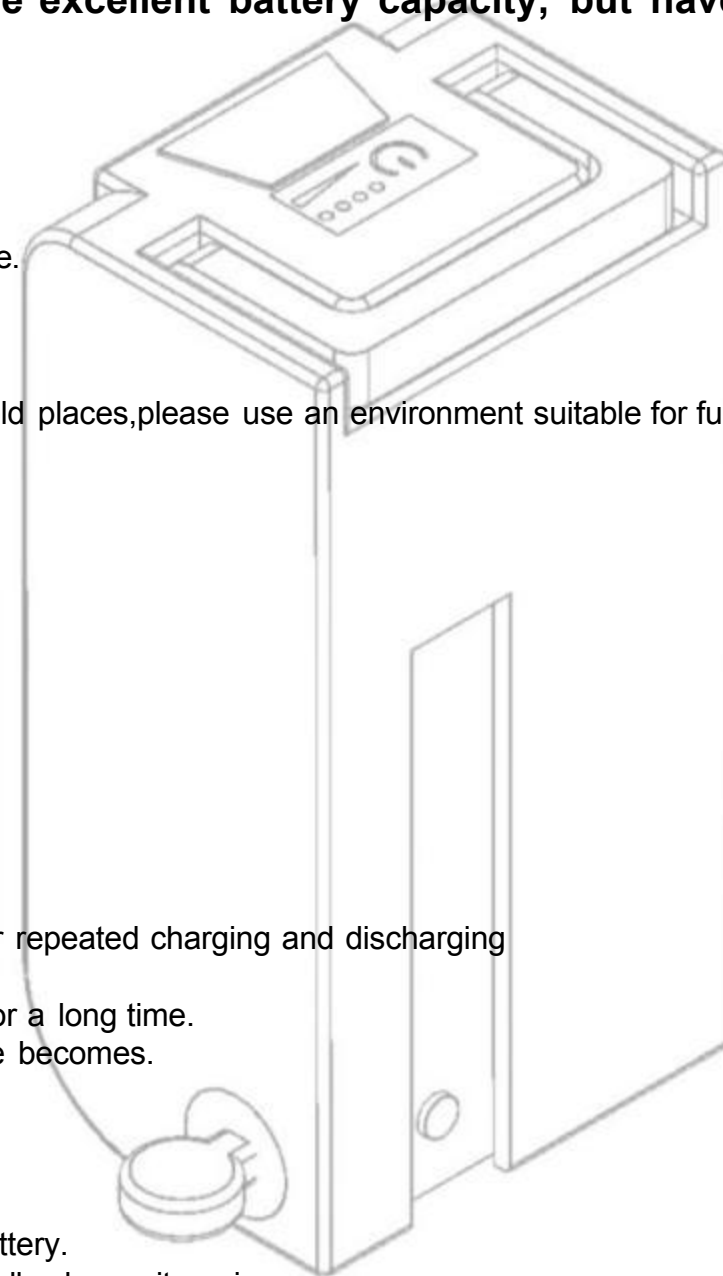
after charging, it is time to replace the battery.

Please replace the battery as soon as possible.

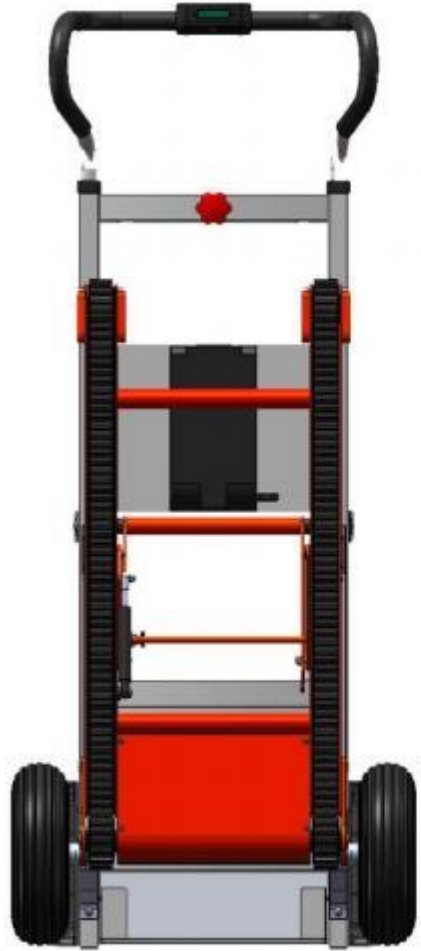
In this case, a replacement fee will be charged.

One cycle" of charge and discharge refers to a fully charged battery.

Use it until the remaining battery power reaches 0 (zero), then fully charge it again.



Lithium Battery



Displays 4 power levels based on battery consumption.

100% 75% 50% 25%.

Please charge when the battery power reaches 25%

When it's time to charge

Please remove the battery

Open the circular port and charge safely

Accessories Introduction





Control Switch



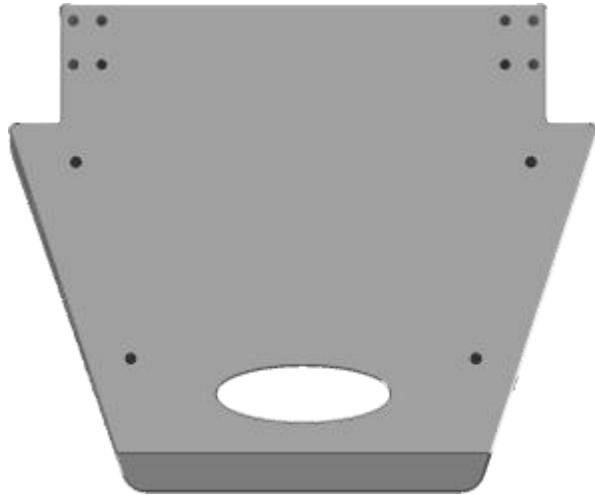
Lithium Battery



**Lever
Adjustment
Knob**



**Inflatable Rubber
Wheel**



Platform

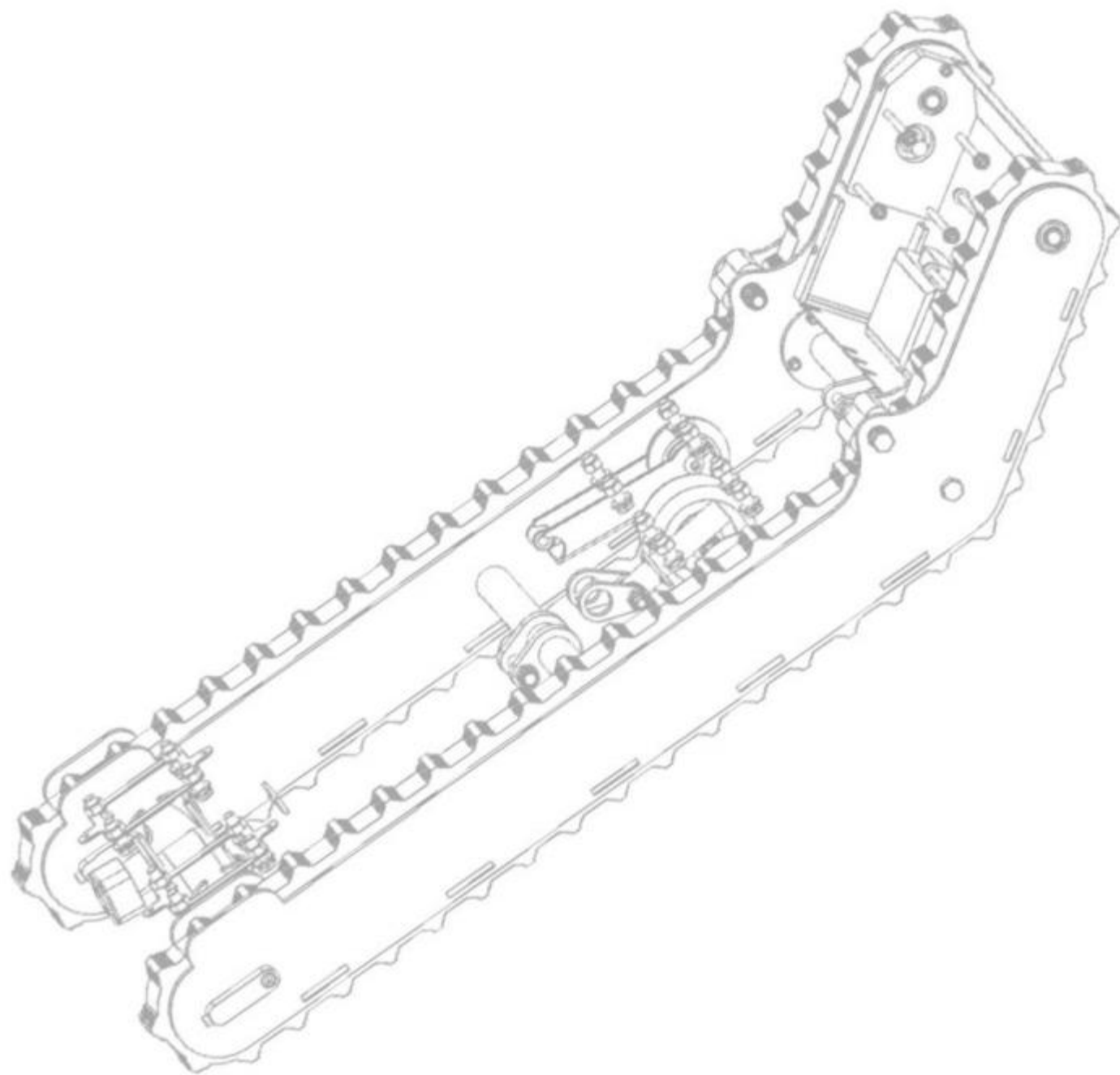


Rubber Tracks



Brushless Motor

Manual





EMSS-11E inspection before climbing stairs

Are the stairs damaged or missing corners?

Is the battery connected correctly?

**Whether the control joystick is normal
(whether all functions can be used normally)**

Is the cargo securely secured by seat belts?

Are the tracks parallel to the stairs?

**(It is recommended to practice climbing stairs first
without loading the goods after purchase)**





EMSS-11E starts climbing the stairs

Open the crawler unit of EMSS-11E

**Make sure that the crawler track of EMSS-11E
can contact three points**

(the first step on the ground and the second step)





EMSS-11E continues to climb stairs

When the track is about to touch the last step

Please continue climbing the stairs



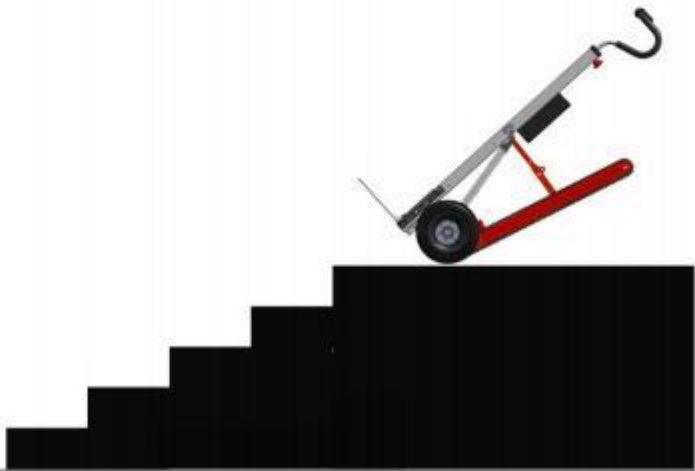


The track part of EMSS-11E only touches one step
Please keep the tracks in contact with the steps
until the tracks can touch the ground





**When the tracks of EMSS-11E have touched the ground
Please continue to use crawlers to crawl on the ground
(It is prohibited to place EMSS-11E vertically)**





Until the platform part of EMSS-11E is completely separated from the stairs and reaches the flat ground.

Stop climbing stairs and fold the tracks





EMSS-11E climbs down stairs

Open the crawler unit first

Tilt the EMSS-11E and use the crawlers to climb down the stairs





When the crawler unit of EMSS-11E touches the first step

Please continue climbing downstairs and try to reach the second step.





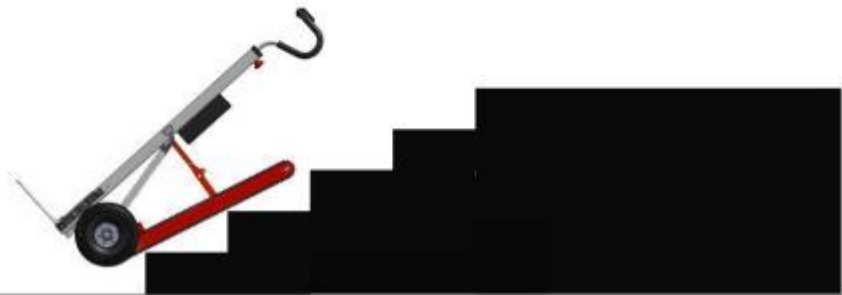
Make the crawler tracks of EMSS-11E touch three steps and continue climbing down.

Please keep the path of the track in a straight line (empty training and control lever practice are required)

When EMSS-11E is about to reach the last step

Please keep crawling





The tracks of EMSS-11E touched the ground

Because of the crawling structure of the crawler tracks, the design of EMSS is safe.

It is safest when the track touches three points





When the track is completely in contact with the ground, the track can be folded and pushed on flat ground.



Packing List



EMSS-11E



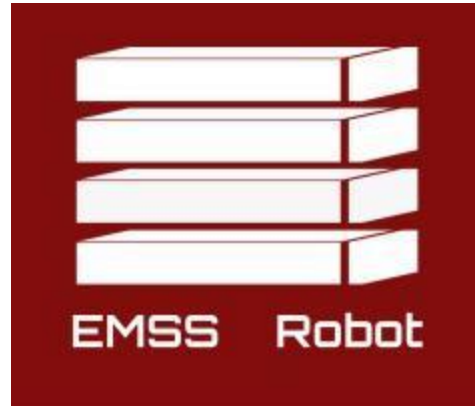
Lithium
Battery



Charger



Cargo
Safety Belt



JiangSu Emss Science And Technology Co.,Ltd

WWW.EMSSROBOT.COM

Plant 6, Tongyang Town Industrial Concentration Zone, Shuyang County, Suqian, Jiangsu, China