

EMSS

Powered Stair Climber

EMSS-11TS

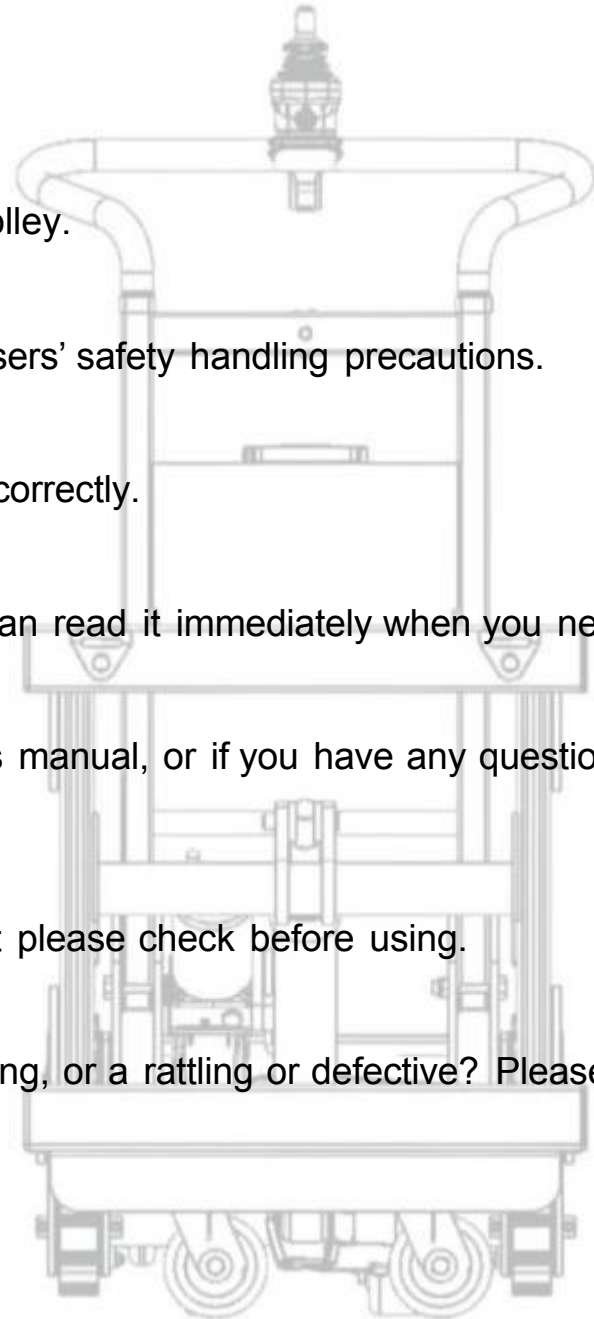


Description




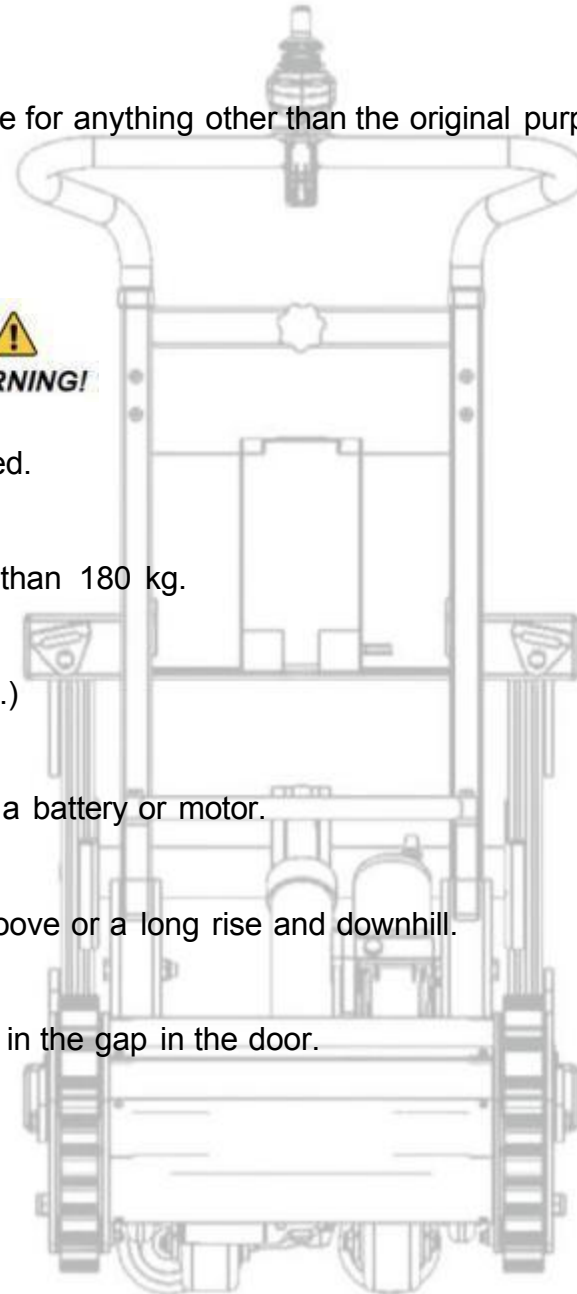
Introduction

- Thank you for purchasing a portable mobile stair trolley.
- This manual describes how to use products and users' safety handling precautions.
- Be sure to read well before purchasing and use it correctly.
- Please keep this manual in your hand so that you can read it immediately when you need it.
- If you have any questions about the contents of this manual, or if you have any questions, please contact us or dealers.
- At the time of shipment, we have sufficient test, but please check before using.
- Is there any damage to parts, a bolt and nut dropping, or a rattling or defective? Please check.

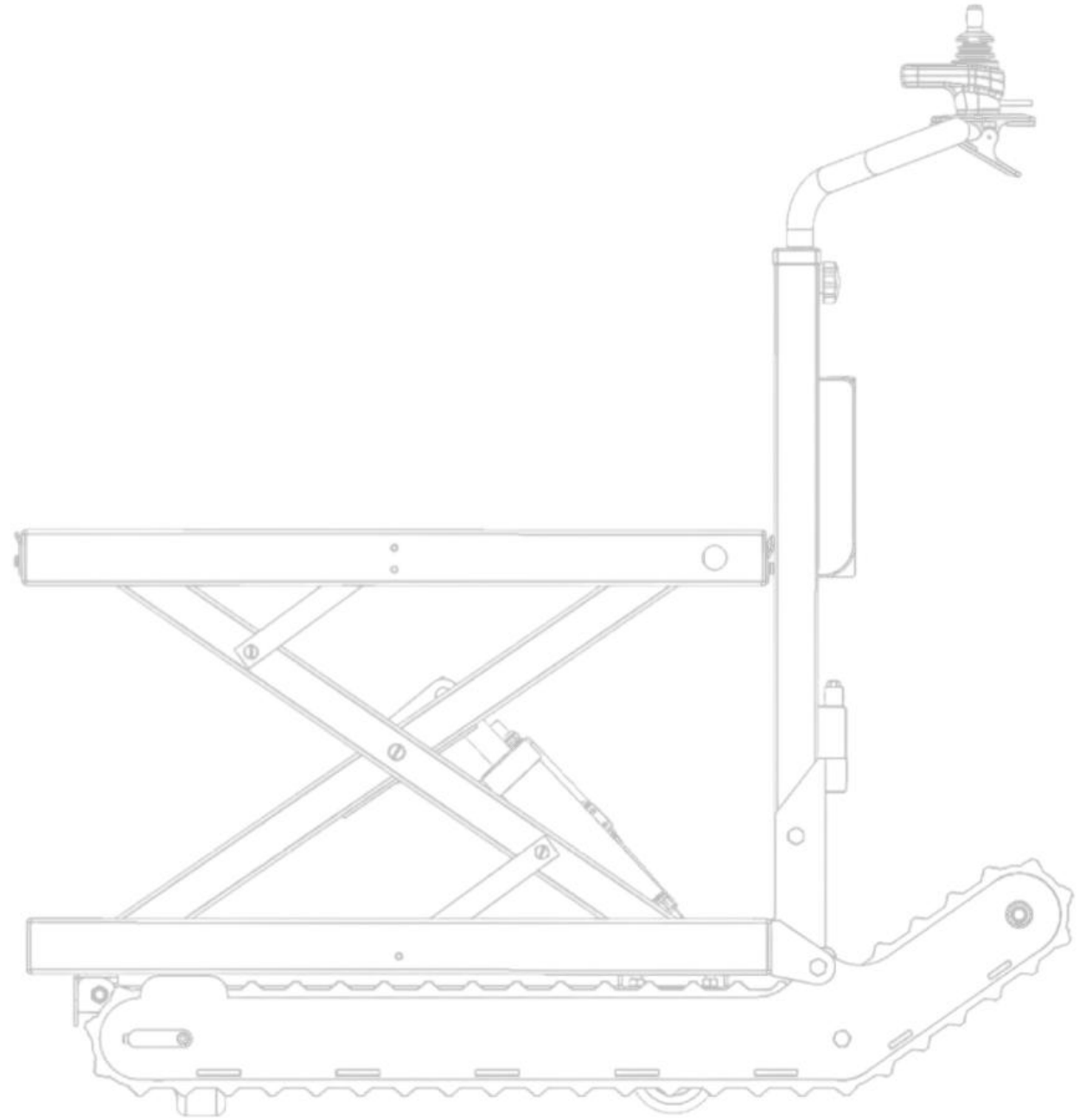


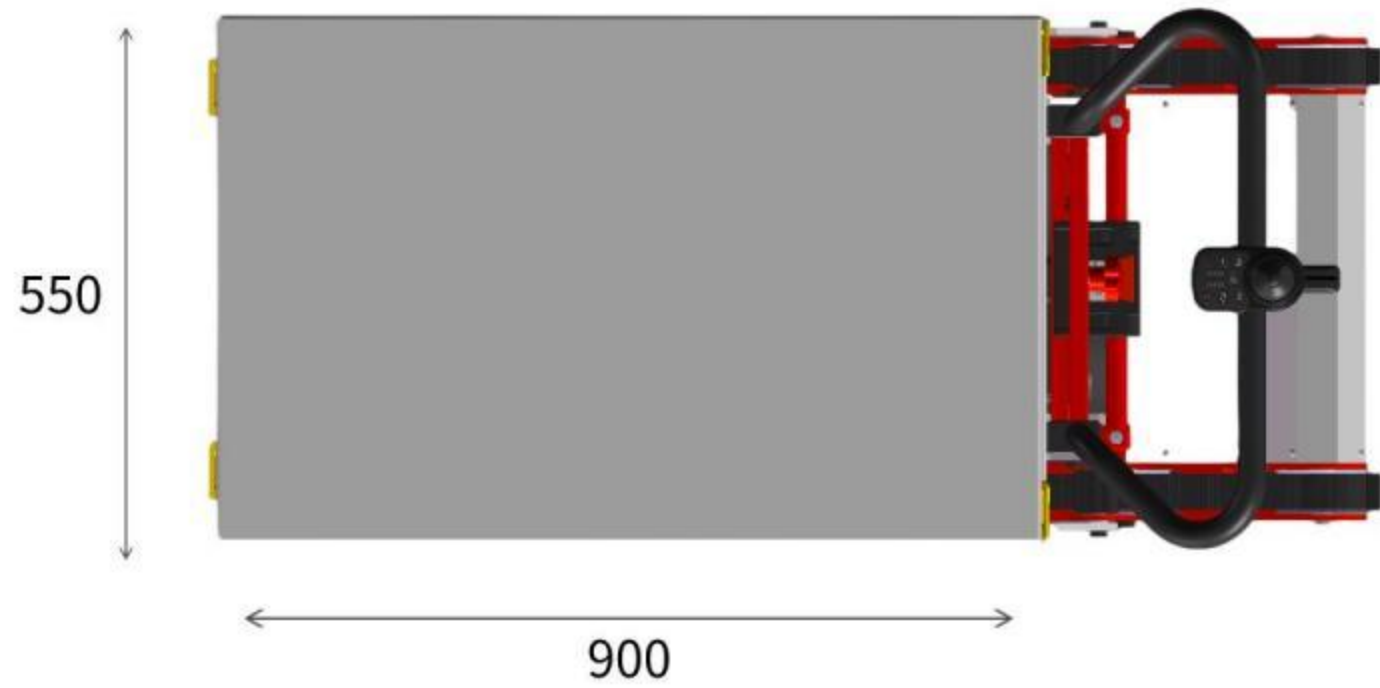
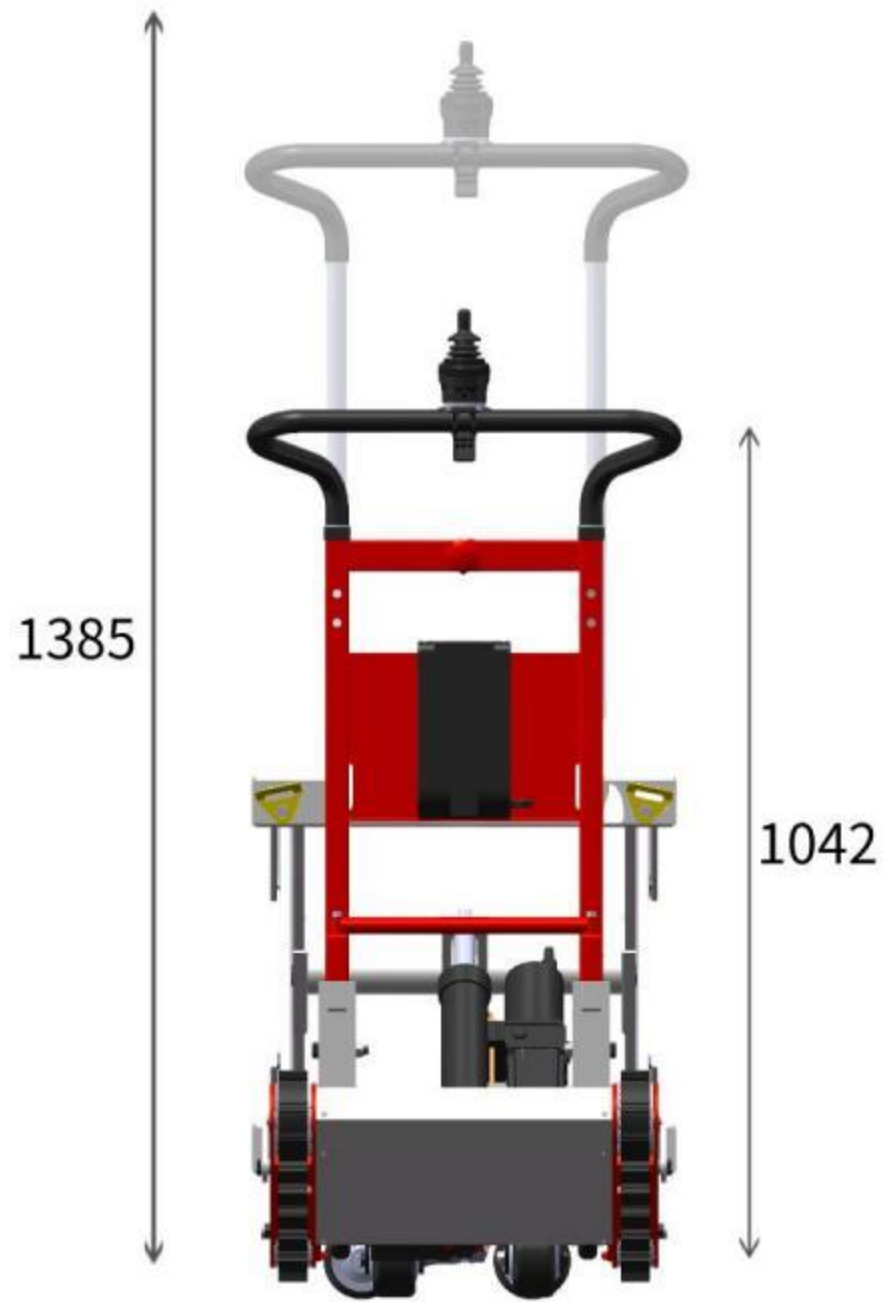
Precaution

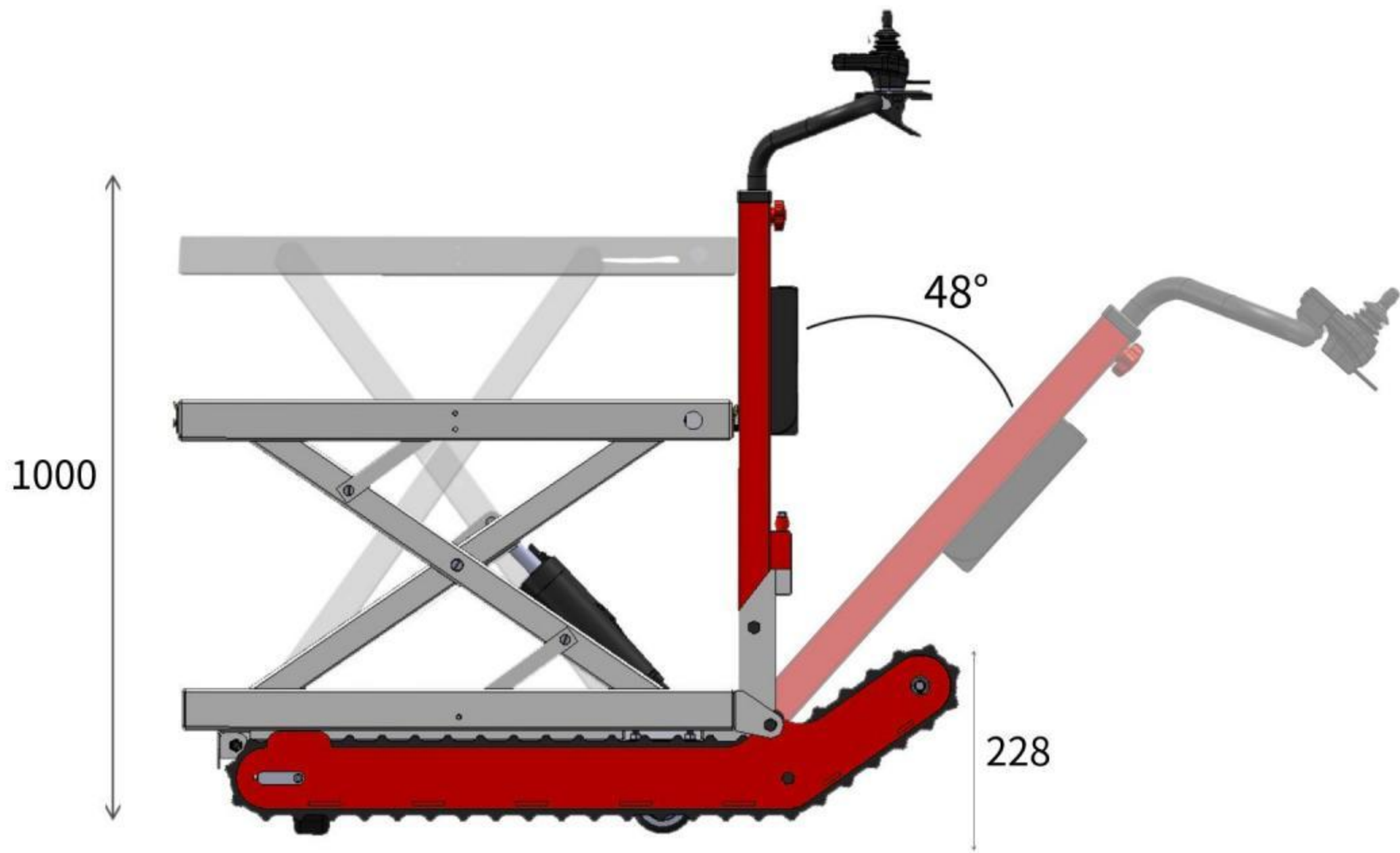
- This carries goods/cargo to the stairs up and down. Do not use for anything other than the original purpose.
- Do not use when there is a failure or abnormality.
- Do not use if it rains or if the road is wet. It may slip down  **WARNING!**
- Do not approach the fire, as the motor or battery may be ignited.
- Please do not use with the maximum loading capacity of more than 180 kg.
- Please do not use special stairs. (Stairs, stairs, stepladder, etc.)
- If you use it for a long time, do not use it if it gets hot, such as a battery or motor.
- When using it as a wheelchair, it is dangerous to use it on a groove or a long rise and downhill.
- When using the elevator, make sure that the wheels do not fall in the gap in the door.
- Please check, clean and maintain regularly.



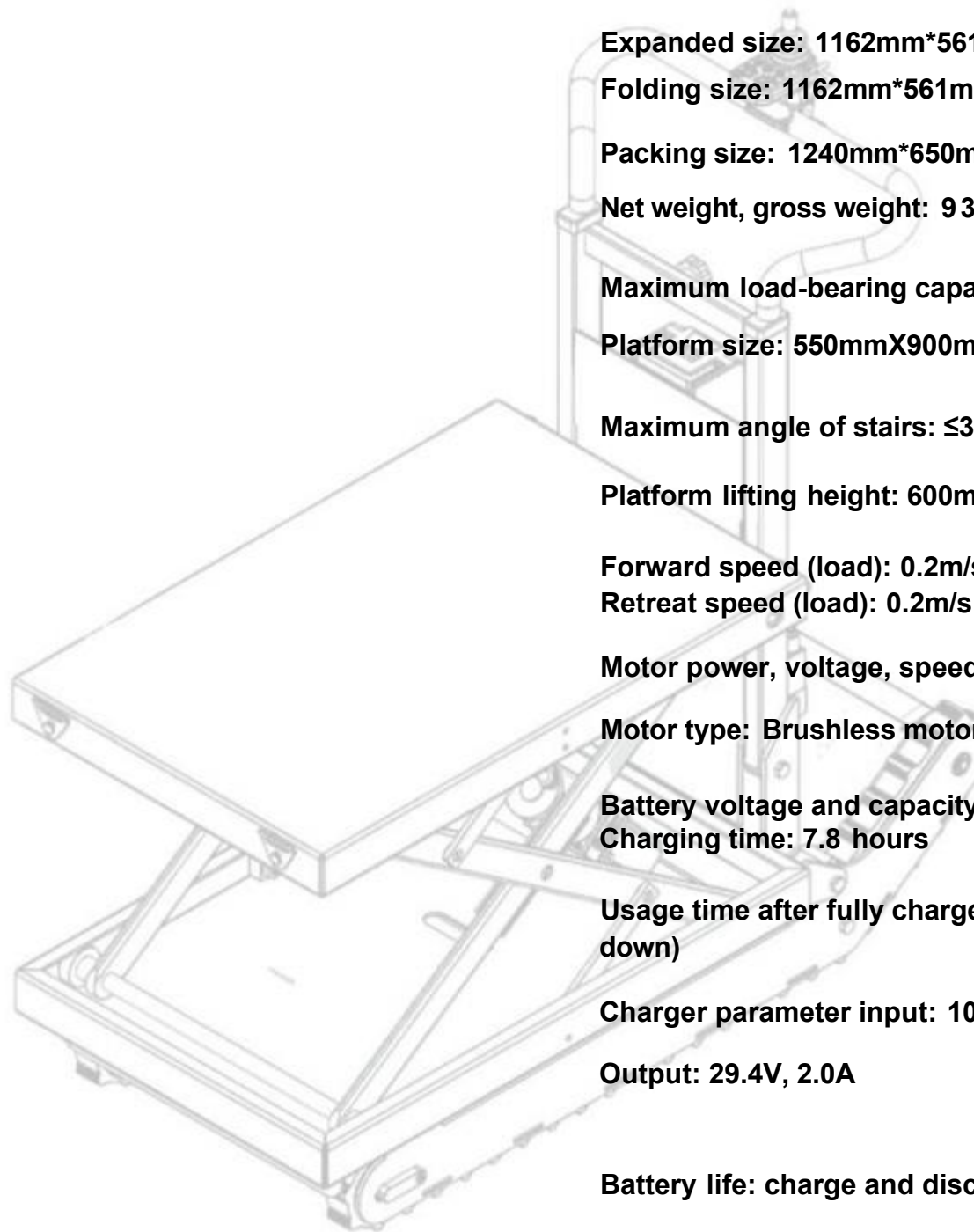
Technical Specifications







Technical Data



Expanded size: 1162mm*561mm*1040mm

Folding size: 1162mm*561mm*393mm

Packing size: 1240mm*650mm*550mm

Net weight, gross weight: 93 Kg, 120Kg

Maximum load-bearing capacity: 400Kg

Platform size: 550mmX900mm

Maximum angle of stairs: $\leq 35^\circ$.

Platform lifting height: 600mm

Forward speed (load): 0.2m/s

Retreat speed (load): 0.2m/s

Motor power, voltage, speed: 200W, 24V, 3000,

Motor type: Brushless motor

Battery voltage and capacity: 24V, 15.6AH

Charging time: 7.8 hours

Usage time after fully charged: 40 minutes (30 layers up and down)

Charger parameter input: 100~240V, 50/60Hz, 2.0A

Output: 29.4V, 2.0A

Battery life: charge and discharge 600-700 times

Prevent Electric Shock and Fire When Handling Batteries.

- Do not use if the battery case is damaged, scratched, or smells bad.

(If there is any abnormality, please contact the dealer or our company immediately.)

Please do not pour water on the battery or put it in water.

Failure to do so may result in heat generation, fire, damage or malfunction.

Do not disassemble or replace the battery.

- Do not throw the battery into fire or overheat it.

Failure to do so may result in heat generation, fire, damage or malfunction.

Prevent electric shock and fire when handling fully charged electrical appliances.

- Do not use the appliance with other electrical equipment, otherwise it may cause fire or explosion.
- Please do not get the appliance wet or use it in the rain.

Failure to do so may result in electric shock or fire.

- Insert the power plug fully. Incomplete insertion may cause heat generation, resulting in electric shock or fire.

- Please do not put anything on the wire or fix the wire by pinching.

Failure to do so may result in fire or electric shock.

- Do not touch the power plug or touch the charging terminal with wet hands. Dangerous to touch.

- Do not pick up or wrap the power cord on the main body of the charger when using it.

A damaged power cord may cause fire or electric shock.

- Please do not drop the rechargeable battery or subject it to shock.

Failure to do so may result in heat generation, fire or damage.

Prevent electric shock and fire when fully charged.

- Do not use outlets or wiring devices that exceed the ratings.

Multiple wires, etc. that exceed the rating may cause heat generation and fire.

- Please do not let your skin touch the same part of the charger for a long time while charging. Failure to do so

may result in cryogenic injury.

- Keep out of reach of children and pets. Failure to do so may result in electric shock, fire or malfunction.

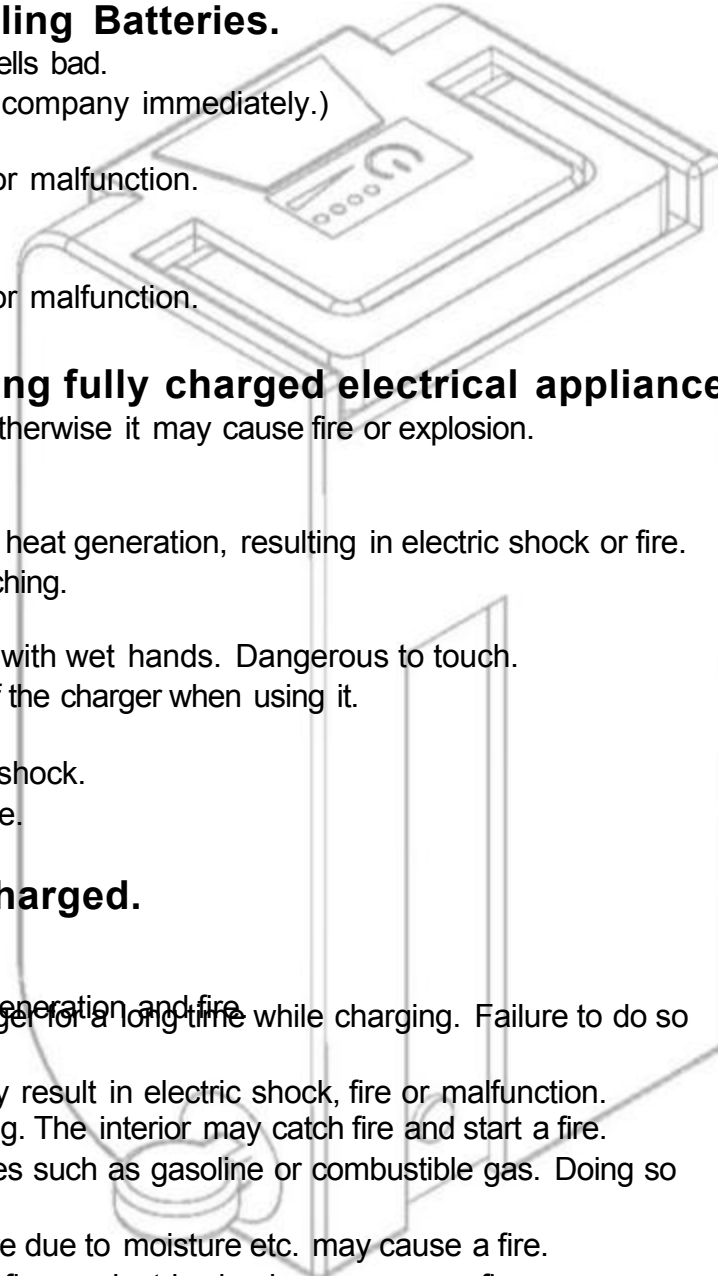
- Do not cover or place anything on the battery while charging. The interior may catch fire and start a fire.

- Please do not charge the battery near flammable substances such as gasoline or combustible gas. Doing so

may result in fire or overheating.

- Regularly remove dust from the power plug. Insulation failure due to moisture etc. may cause a fire.

Do not use if the power cord is damaged. There is a risk of fire or electric shock.



Lithium batteries are lightweight and have excellent battery capacity, but have the following characteristics

- Performance will degrade in very hot/cold environments.
- It can be charged regardless of the remaining power.
- Reverse charging a fully charged battery will accelerate fatigue.

Suitable for fully charged environment

Charging may not be performed properly in extremely hot or cold places, please use an environment suitable for full charging below.

- The indoor temperature is between 15 and 25 °C.
- A place that will not get wet from rain or water.
- A place not exposed to direct sunlight.
- A place with good ventilation and no humidity.
- A place out of reach of babies and pets.

Battery life and replacement

The battery capacity will drop to about half of the new one after repeated charging and discharging (700~900 cycles). In addition,

the battery capacity will gradually decrease after being stored for a long time.

The lower the battery capacity, the shorter the range per charge becomes.

If there is no sign of recovery even .

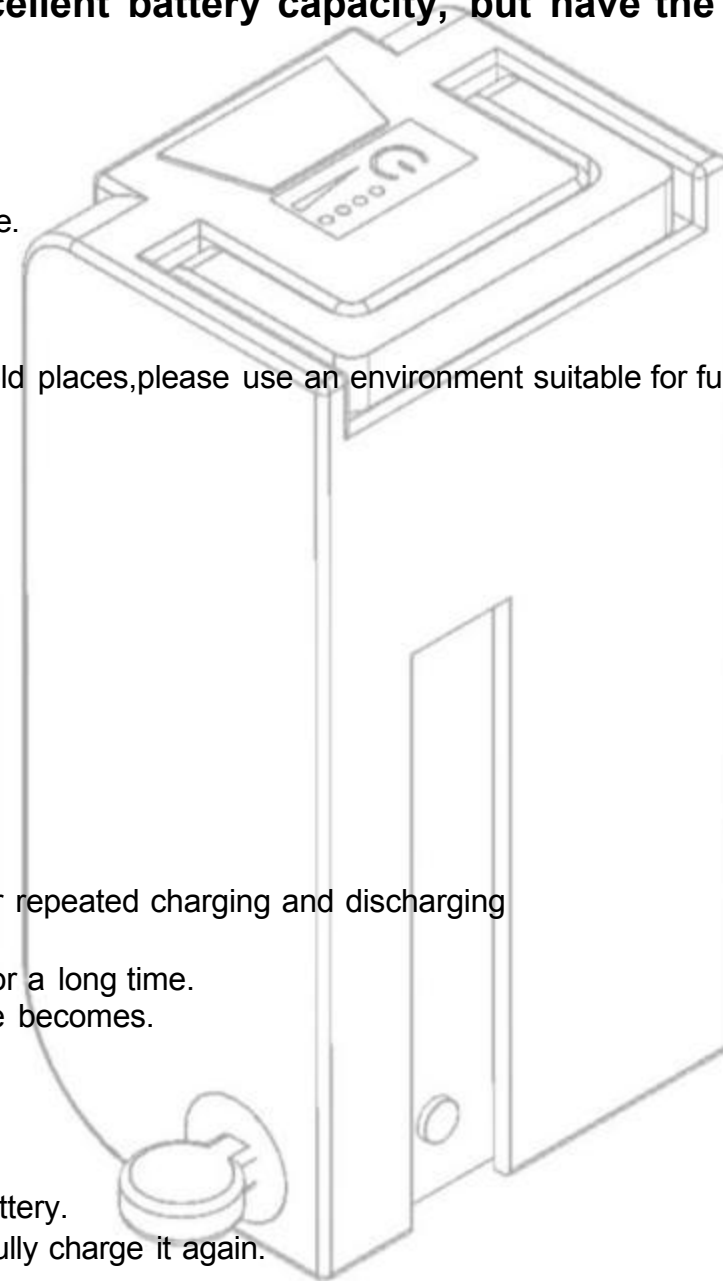
after charging, it is time to replace the battery.

Please replace the battery as soon as possible.

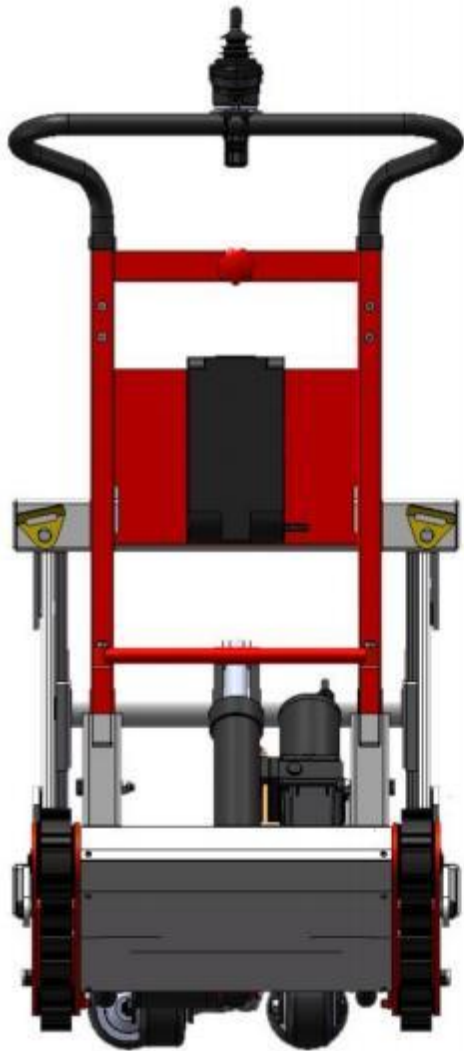
In this case, a replacement fee will be charged.

One cycle" of charge and discharge refers to a fully charged battery.

Use it until the remaining battery power reaches 0 (zero), then fully charge it again.



Lithium Battery



Displays 4 power levels based on battery consumption.

100% 75% 50% 25%.

Please charge when the battery power reaches 25%

When it's time to charge

Please remove the battery

Open the circular port and charge safely

Accessories Introduction



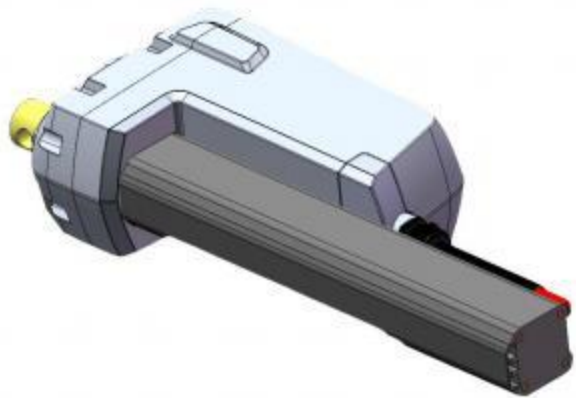


Control Switch

Lithium Battery

**Electric Push Rod
(Platform Lift)**

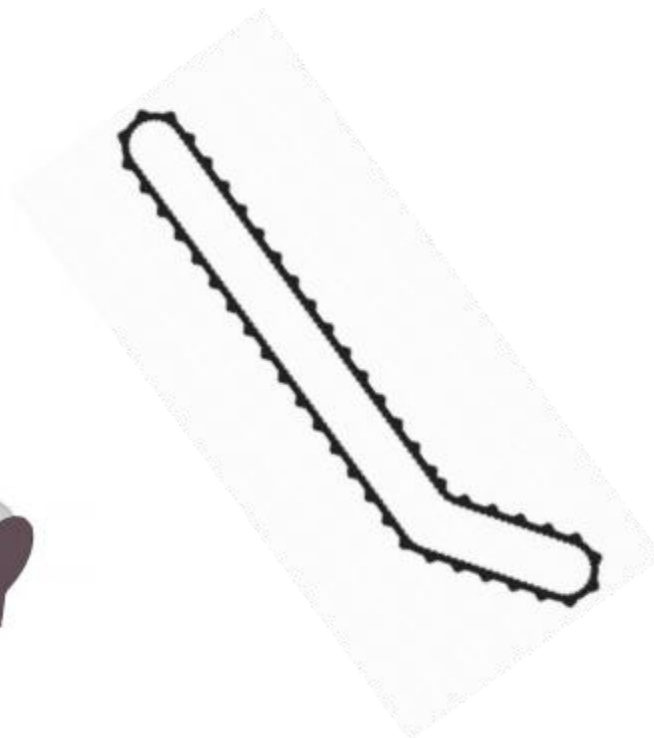
**Lever
Adjustment
Knob**



**Electric push rod
(Forward Tilt Angle)**



**Electric actuator
(Rear Tilt Angle)**



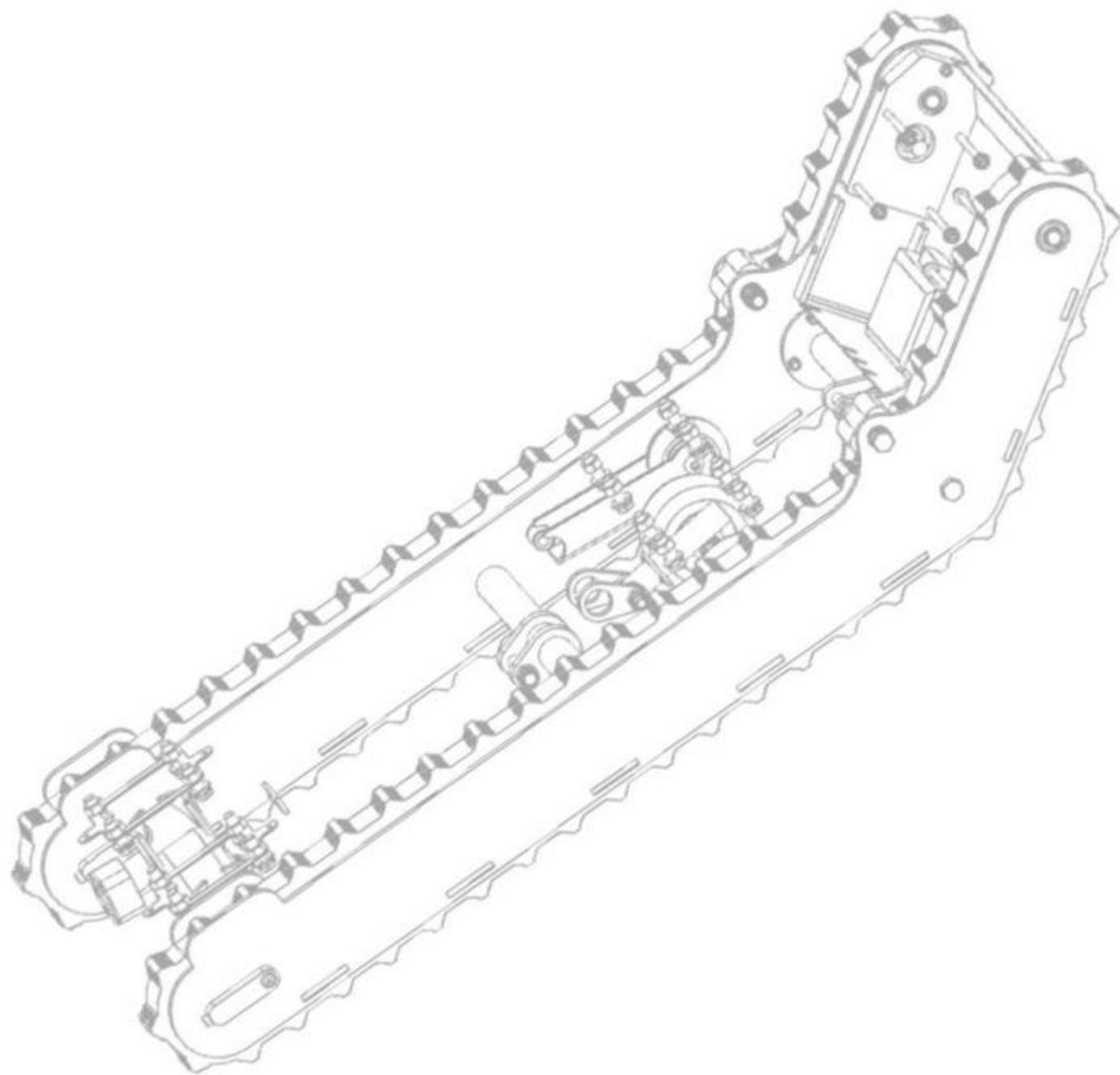
Rubber Tracks



Brushless Motor



Manual





The platform lifting function is only for use on flat ground.

Please use it according to the actual situation.

EMSS-11TS inspection before climbing stairs.

Are the stairs damaged or missing corners?

Is the battery connected correctly?

**Whether the control joystick is normal
(whether all functions can be used normally)**

Is the cargo securely secured by seat belts?

Are the tracks parallel to the stairs?

**(It is recommended to practice climbing stairs
first without loading the goods after purchase)**





EMSS-11TS starts climbing the stairs

**Please ensure that the lifting platform is closed
(it is prohibited to raise the platform during climbing)**

**Manipulate the control rocker to make the rear part
of the EMSS-11TS track contact the middle of the
first section of the stairs.**

The platform slopes downward

So we need to increase the angle of the tracks.

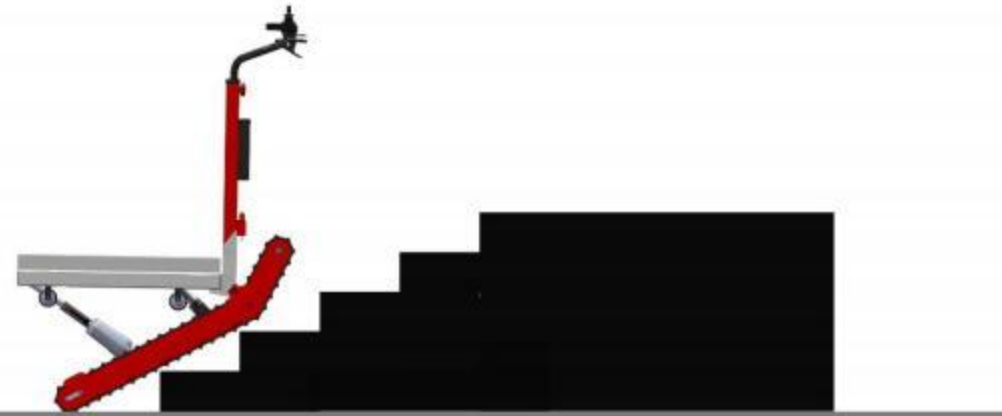


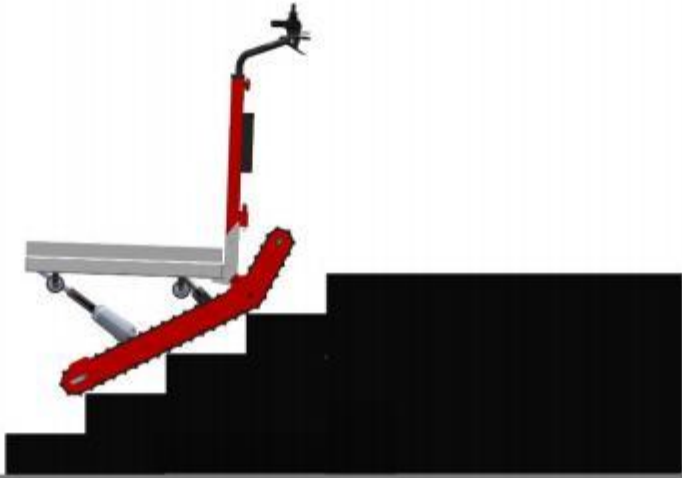


EMSS-11TS continues to climb stairs

When the crawler tracks contact the ground/first step/second step at the same time these three will contact the crawler part of EMSS-11TS at the same time.

**The platform still cannot be parallel to the stairs
Continue adjusting the angle until the platform is parallel to the stairs**





EMSS-11TS continues to climb stairs

**Please keep the path of the track in a straight line
(empty training and control lever practice are required)**

When EMSS-11TS is about to reach the last step

Please keep crawling





EMSS-11TS only touched two steps

Please hold on to the handle

Press the pull rod of EMSS-11TS downwards.

The track part will be raised and only touch one staircase.



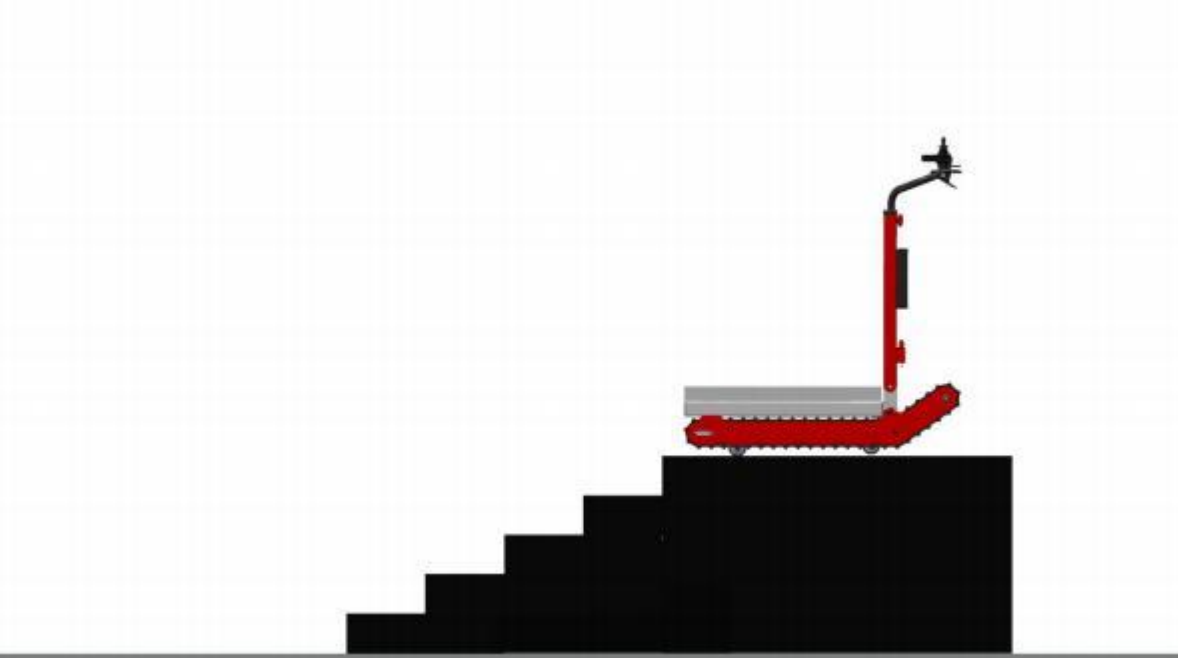


EMSS-11TS continues to crawl

Allow the track to walk on flat ground

Until the front end of the EMSS-11TS crawler leaves the stairs and touches the ground



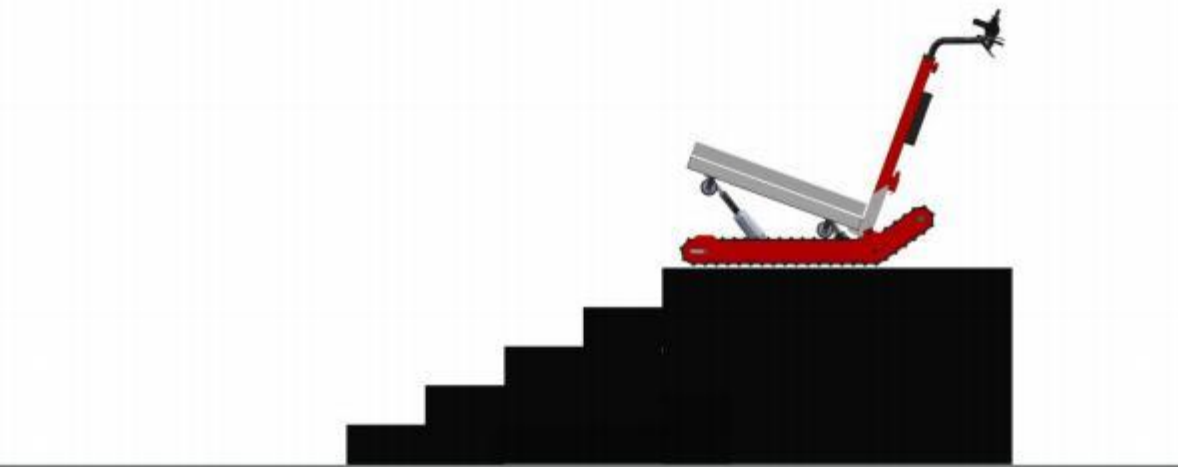


Lower the platform and let the four wheels of EMSS-11TS touch the ground.

Use the wheels to push it on flat ground.

EMSS-11TS starts to climb down the stairs

Raise the platform angle





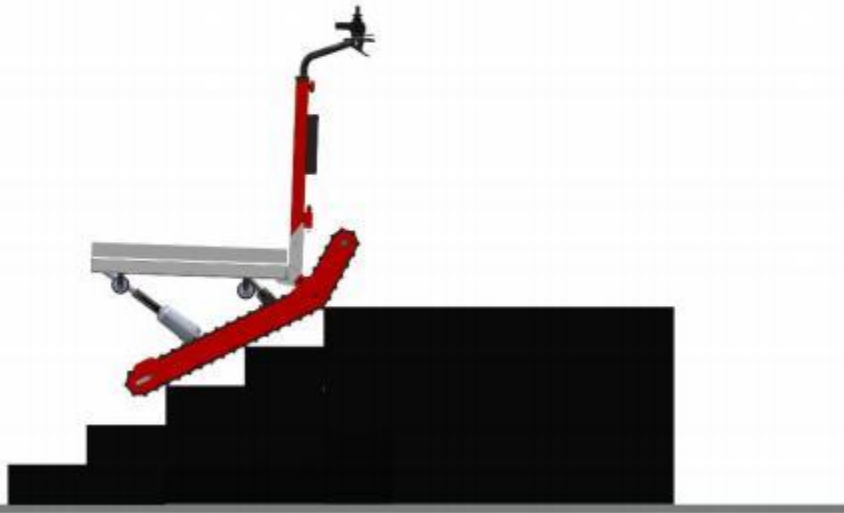
Crawling forward using crawler tracks

Control the contact between the track and the steps to be parallel

During crawling, lift the lever upwards

Slowly fit the track part onto the two steps





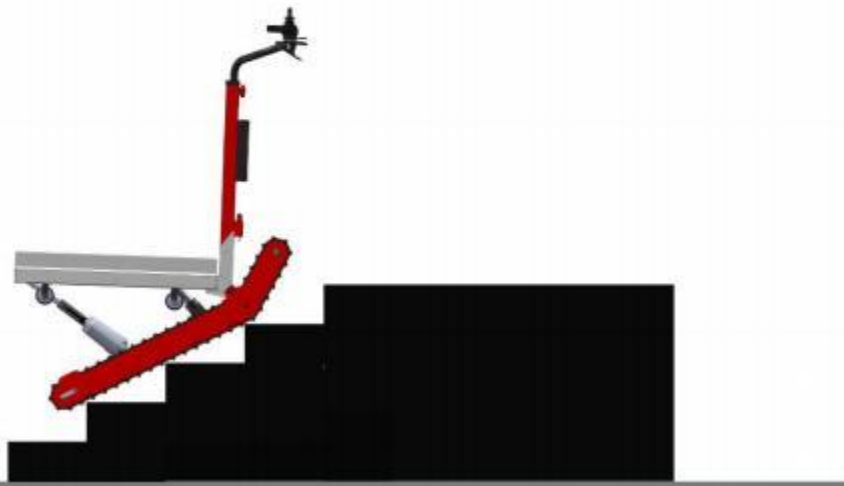
The platform slopes downward

so we need to increase the angle of the tracks

The purpose is to make the platform and steps of EMSS-11TS parallel

EMSS-11TS continues to climb down the stairs

When the crawler tracks connect three steps at the same time





Please continue down stairs

The crawler tracks of EMSS-11TS connect the ground/first step/second step at the same time.

Please hold on to the handle and continue down the stairs

Until the track only touches one step and the ground





Adjust the angle of the platform so that it is parallel to the ground





All track sections of EMSS-11TS are connect to the ground

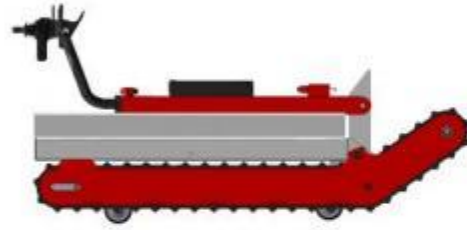
Lower the platform to an angle parallel to the ground

Put four wheels of the EMSS-11TS on the ground

Complete downstairs



Packing List



EMSS-11TS



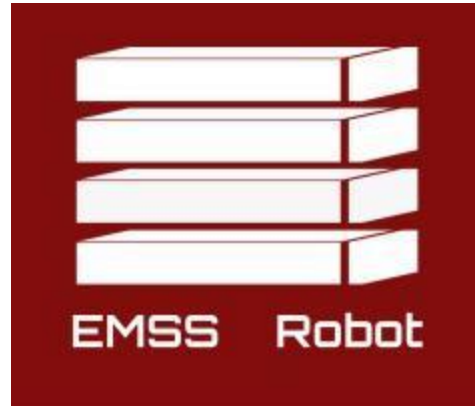
**Lithium
Battery**



Charger



**Cargo
Safety Belt**



JiangSu Emss Science And Technology Co.,Ltd

WWW.EMSSROBOT.COM

Plant 6, Tongyang Town Industrial Concentration Zone, Shuyang County, Suqian, Jiangsu, China